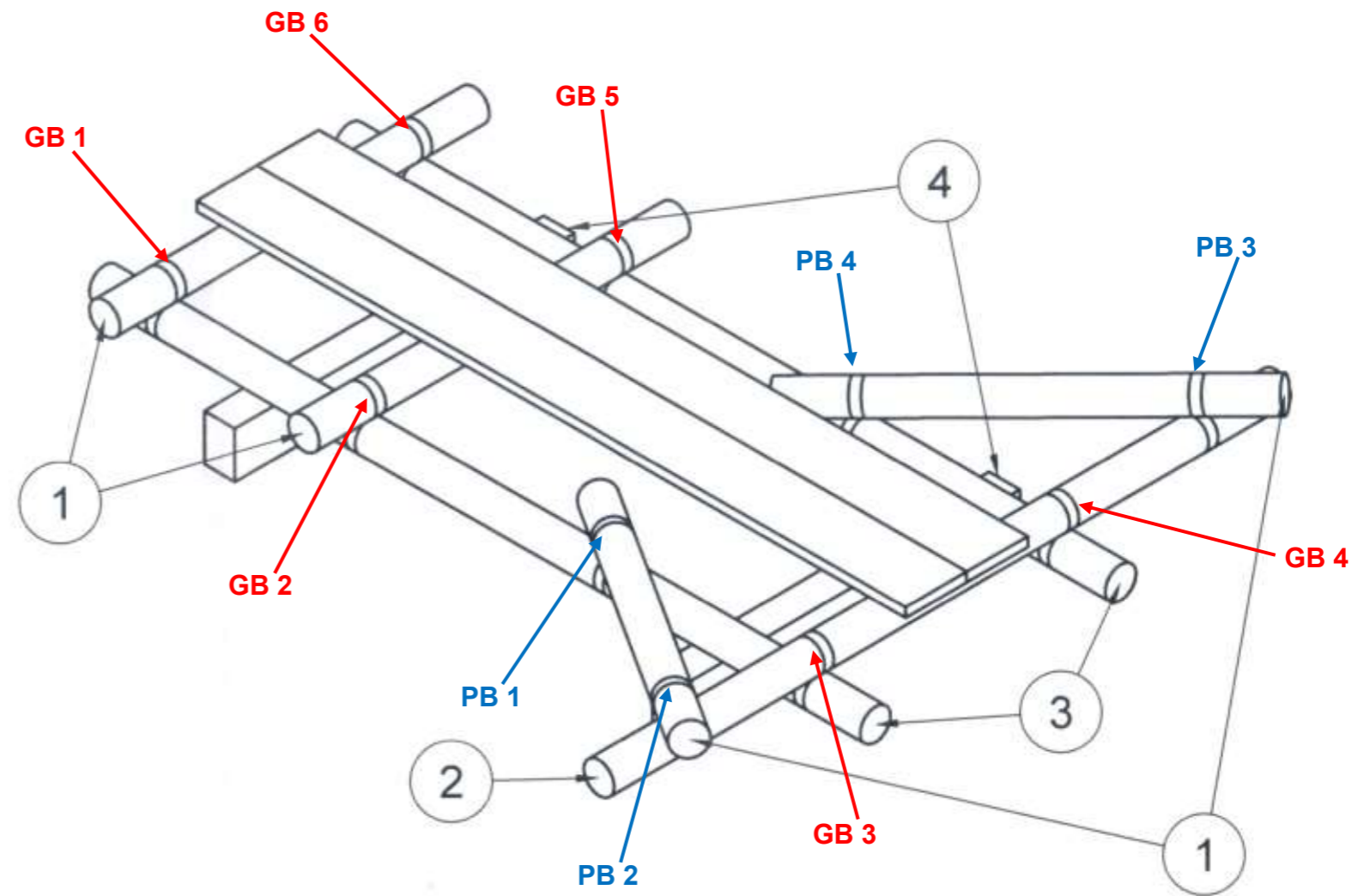
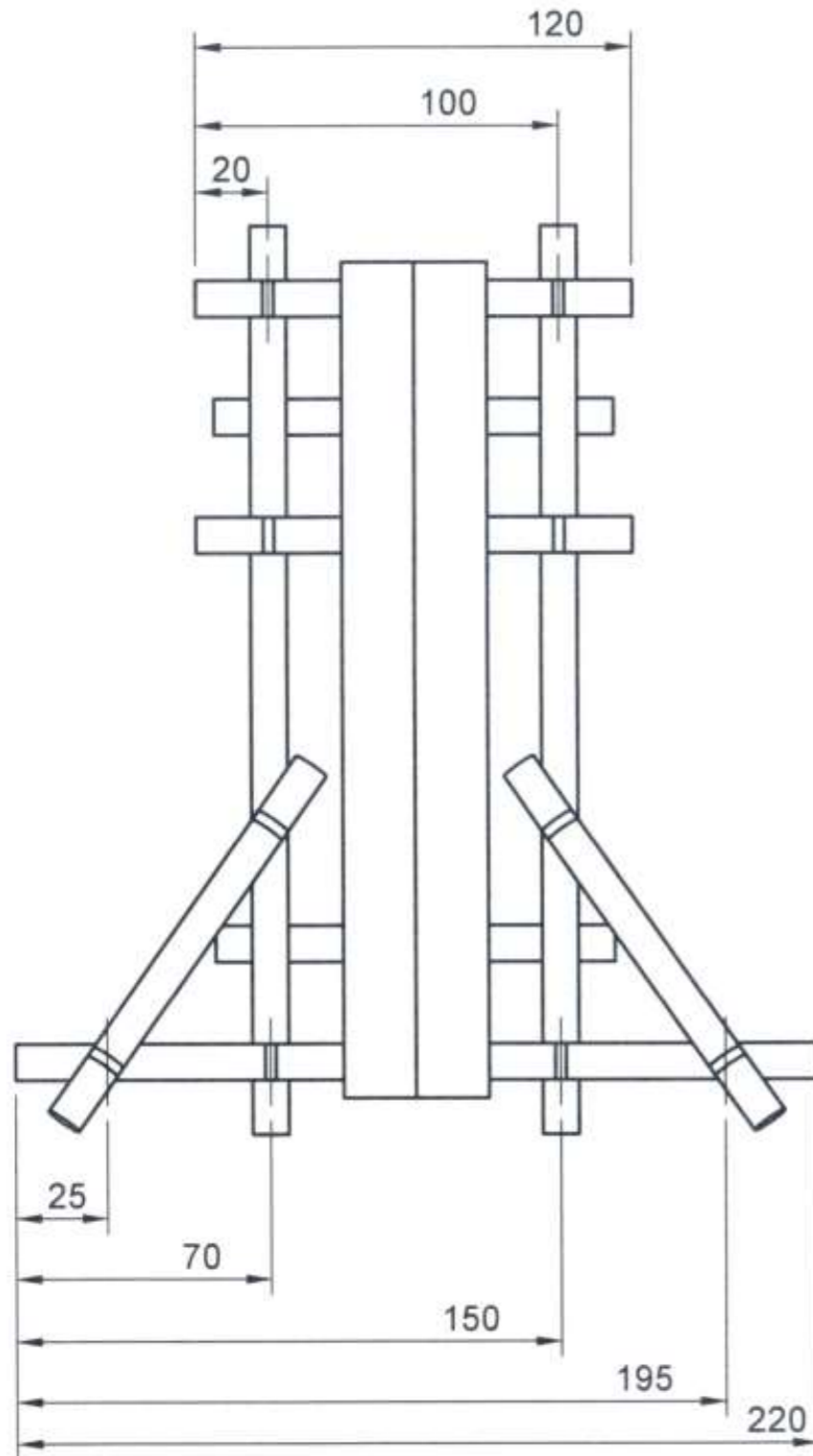


Materialliste		
Pos. 1	4x	120 x 10
Pos. 2	1x	220 x 10
Pos. 3	2x	250 x 10
Brett	2x	230 x 20 x 3
Pos 4	2x	110 x 15 x 10
Schnürleine	10x	



Dept.	Technical reference	Created by Remo Rothenberger 28.11.2022	Approved by
Format: A3	Masstab: 1:15	Document type	Document status
Masseinheit: [cm]		Title Schnürobjekt_klein_2023	DWG No.
		Rev. C	Date of issue 24.03.2023
			Sheet 1/1